

WATERWORKS TOOLS

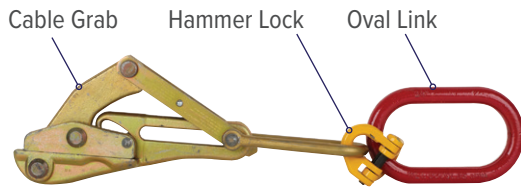
- ▶ Service Line Puller Kits
- ▶ Hand Tools



WATERWORKS TOOLS

Service Line Puller Kits

3/4" – 1" Service Line Puller Kits



High-strength metal tool box with gasketed cover.



50'- 3/8" Cable 7.44 Ton Test
Also available in 75' & 100' coils



Split Bull Head



Plastic Pipe Splitter



Plastic Adapter



Starter Tool

PRODUCT DESCRIPTION	LENGTH	WEIGHT	PART NO.
Cable Grab Full Assembly	8 in.	9 lbs.	63150 25
3/4-1" Service Line Puller Kit W/50 Ft. Cable	50 ft.	38 lbs.	63150
3/4-1" Service Line Puller Kit W/75 Ft. Cable	75 ft.	44 lbs.	63150 75
3/4-1" Service Line Puller Kit W/100 Ft. Cable	100 ft.	50 lbs.	63150 100
3x8"x50' Cable 7.44 Ton Test	50 ft.	12 lbs.	05696 2A
3x8"x75' Cable 7.44 Ton Test	75 ft.	18 lbs.	05696 3A
3x8"x100' Cable 7.44 Ton Test	100 ft.	26 lbs.	05696 4A
Split Bull Head	5 in.	2 lbs.	63150 20
Cable Grab	8 in.	7 lbs.	63150 25
Hammer Lock	8 in.	1 lbs.	63150 30
Oval Link	4 in.	1 lbs.	63150 35
Water Tight Carry Case	12 in.	6 lbs.	63212 95
Plastic Pipe Splitter	3 in.	2 lbs.	63150 50 2
Starter Tool	5 in.	1 lbs.	63150 70
Plastic Adapter	5 in.	1 lbs.	63150 55

WATERWORKS TOOLS

Service Line Puller Kits

3/4" – 1" Service Line Puller Kit Instructions

To start the process, you'll need to dig a small pit, typically about 4 feet by 8 feet, at the curb box to expose the service line.

Clean up 6-8" of the exposed service line on the structure side of the curb, then cut it off using a wheel cutter. Make sure the cut is positioned to allow maximum room for a long pull by the excavator.

Inside the structure, at the opposite end of the service line, you'll need to disconnect the water meter and remove material around the service line to allow it to move as it's being pulled. Make sure there's enough clearance to get the Bullhead and related equipment through the hole.

If the ends have been damaged, the starter tool (63150 70) can be used to return it to round on both ends to allow for easy passage of the cable and connection of the Bullhead. If you're pulling iron pipe, start by inserting the starter tool and striking it several times with a sledgehammer to loosen the material around it. Feed the cable through from the curb end towards the structure end, all the way through until the cable comes out the other end.

At this point, you'll want to assemble the Bullhead (63150 20) and attach it to the new service line inside the structure.

Assembling the Bullhead

Before you begin, apply anti-seize compound to any threads to ensure easy assembly and disassembly. If you're running plastic pipe that is larger than the original service line, you'll

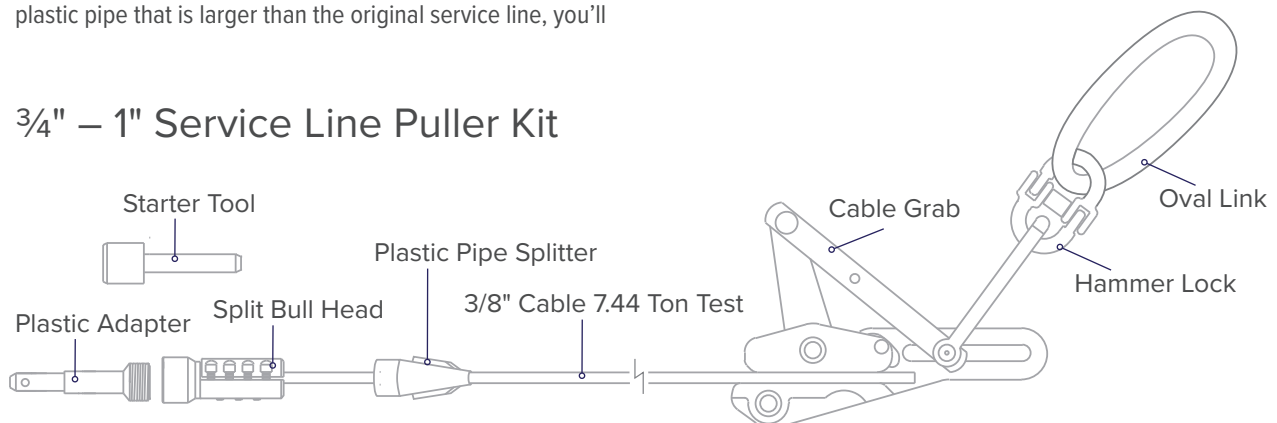
need to place the plastic pipe splitter (63150 50) on the cable first, with the narrow end pointing away from the threaded end of the cable, towards the curb.

Now you can assemble the Bullhead onto the cable by tightening the allen screws. Start by alternating from left to right to secure the eight allen screws on one side, then tighten the three screws on the opposite side.

For plastic pipe, attach the plastic adaptor (63150 55) to the threaded end of the Bullhead, then slide your new pipe over the other end of the plastic adaptor shaft with the holes, drill or otherwise make a hole in the pipe, pass a nail, screw, bolt or similar fastener through the hole in the pipe and the plastic adapter, then secure the fastener in place. If you're running new metal lines, attach a brass compression coupling (purchased separately) to the threaded end of the Bullhead, then unscrew the other end of the brass compression coupling, place the nut and washer on the pipe, insert the pipe into the brass compression coupling and tighten the nut to hold it in place for the process.

At the opposite end of the cable, connect the cable grab (63150 25), hammer lock (63150 30) and oval link (63150 35) together and attach them to the cable and excavator. Always pull in a straight line to avoid weakening or fraying the cable. Pull the cable until the excavator has reached its maximum length, then release the cable from the cable grab, cut the length of pipe that is sticking out, attach the cable grab near the cut and pull the pipe again. Continue repeating these steps until the new line has been completely pulled through.

3/4" – 1" Service Line Puller Kit



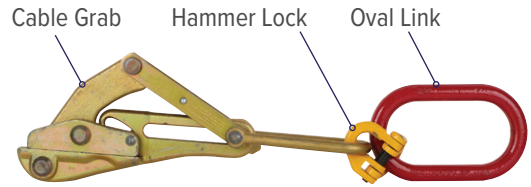
WATERWORKS TOOLS

Service Line Puller Kits

1 1/4" – 2" Service Line Puller Kits



High-strength metal tool box with gasketed cover.



1/4" Screw-On Bull Head



1 1/2" Screw-On Bull Head



2" Screw-On Bull Head



50'- 1/2" Cable 13 Ton Test
Also available in 75' & 100' coils

PRODUCT DESCRIPTION	LENGTH	WEIGHT	PART NO.
Cable Grab Full Assembly	8 in.	9 lbs.	63150 25
1 1/4"-1" Service Line Puller Kit W/50 Ft. Cable	50 ft.	49 lbs.	63153
1 1/4"-1" Service Line Puller Kit W/75 Ft. Cable	75 ft.	64 lbs.	63153 75
1 1/4"-1" Service Line Puller Kit W/100 Ft. Cable	100 ft.	72 lbs.	63153 100
1x2"x50' Cable with 3/4" Pressed-On Stud	50 ft.	40 lbs.	05695 A
1x2"x75' Cable with 3/4" Pressed-On Stud	75 ft.	45 lbs.	05695 1A
1x2"x100' Cable with 3/4" Pressed-On Stud	100 ft.	49 lbs.	05695 2A
1 1/4" B-Screw on Bull Head	5 in.	2 lbs.	63153 10
1 1/2" B-Screw on Bull Head	5 in.	2 lbs.	63153 30
2" B-Screw on Bull Head	5 in.	2 lbs.	63153 35
Cable Grab	8 in.	7 lbs.	63150 25
Hammer Lock	8 in.	1 lbs.	63150 30
Oval Link	4 in.	1 lbs.	63150 35
Water Tight Carry Case	12 in.	6 lbs.	63212 95

WATERWORKS TOOLS

Service Line Puller Kits

1 1/4" – 2" Service Line Puller Kit Instructions

As with the smaller kit, you'll need to dig a small pit at the curb box to expose the line to be replaced, typically about 4 feet by 8 feet.

On the structure side of the curb, clean up 6-8" of the exposed service line and make a cut with a wheel cutter. Position the cut to ensure maximum room for a long pull with the excavator.

Inside the structure, disconnect the water meter and remove any material around the service line to allow it to move as it's being pulled. This should include all the room needed to pass the Bullhead and related tools through the foundation wall.

Feed the plain end of the cable through from the structure end towards the curb end, leaving the threaded end inside the structure.

At this point, you'll assemble the Bullhead (63153 10, 63153 30 or 63153 35) and attach it to the new service line inside the structure.

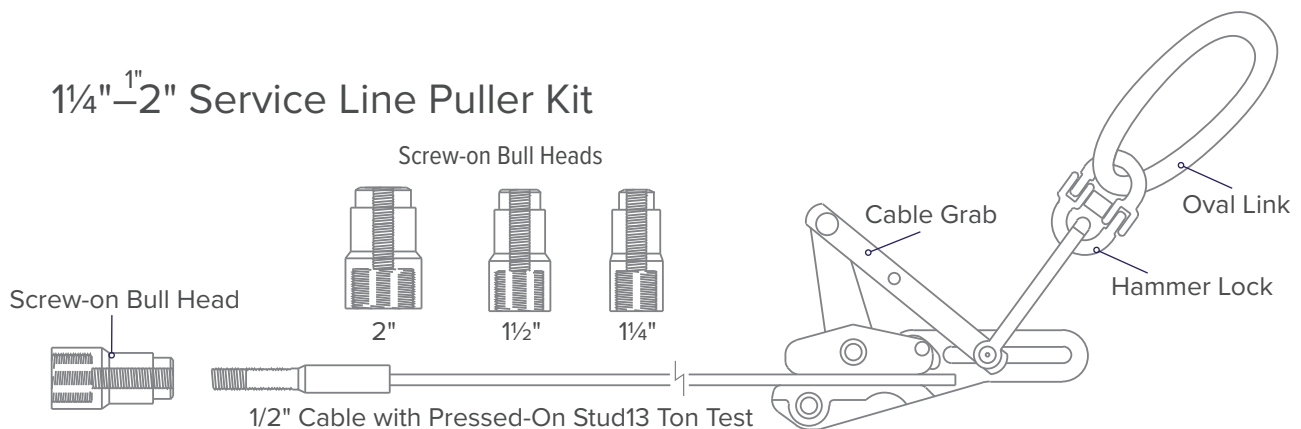
Assembling the Bullhead

Before you begin, apply anti-seize compound to any threads to ensure easy assembly and disassembly. Attach the Bullhead to the cable by threading the end of the cable into the smaller threaded end of the Bullhead.

Attach a brass compression coupling (purchased separately) to the threaded end of the Bullhead, then unscrew the other end of the brass compression coupling for a compression or flared adaptor, then insert the new supply line into the brass compression coupling and tighten the nut to hold it in place for the pulling process.

At the opposite end of the cable, you'll connect the cable grab (63150 25), hammer lock (63150 30) and oval link (63150 35) together and then attach them to the cable and excavator. Always pull the cable in a straight line to avoid weakening, fraying or otherwise damaging the cable. Pull the cable until the excavator has reached its maximum draw. Release the cable from the cable grab, cut and remove the length of pipe that is now sticking out of the earth, then attach the cable grab to the cable again near the cut and pull the pipe again. Continue to repeat these steps until the new line has been completely pulled through.

1 1/4" – 2" Service Line Puller Kit



WATERWORKS TOOLS

Service Line Puller Kits

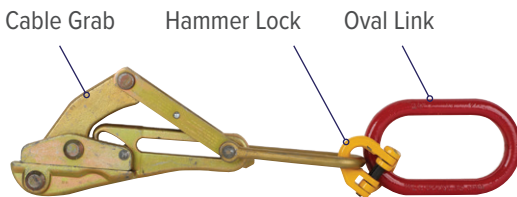
3/4" – 2" Service Line Puller Kit

With an all-in-one Service Line Puller Kit from Team NCT, you're ready to replace outdated service lines and lead pipes with diameters of 3/4" to 2".

When you choose the all-in-one kit, you get the components of the small kit and the large kit all combined. That means one kit with a plastic adapter; starter tool; plastic pipe splitter; split bullhead; screw-on bullheads (1", 1 1/4", 1 1/2", 2"); 3/8" cable (7.44 ton test); 1/2" cable with pressed-on stud (13 ton test); cable grab; oval link; hammer lock.



High-strength metal tool box with gasketed cover.



All you need to supply is the backhoe and the new service lines!



Split Bull Head

Plastic Pipe Splitter

Plastic Adapter

Starter Tool

1/4" Screw-On Bull Head

1/2" Screw-On Bull Head

2" Screw-On Bull Head



50'- 1/2" Cable
13 Ton-Test W/
Pressed on Stud
Also available in
75' & 100' coils



50'- 3/8" Cable
7.44 Ton Test
Also available in
75' & 100' coils

Note: Individual kit parts can be found on pages 47 and 49.

PRODUCT DESCRIPTION	LENGTH	WEIGHT	PART NO.
3/4-2" Service Line Puller Kit W/50 Ft. Cable	50 ft.	49 lbs.	63150 SP
3/4-2" Service Line Puller Kit W/75 Ft. Cable	75 ft.	64 lbs.	63150 75 SP
3/4-2" Service Line Puller Kit W/100 Ft. Cable	100 ft.	49 lbs.	63150 100 SP

WATERWORKS TOOLS

Hand Tools

Deep Well Sockets with 1/2" Drive

These deep well sockets are ideal for use with Repair Clamps and Pipe Couplings.

Features:

- All steel construction
- Six point socket for maximum surface contact.
- Approximately 7" overall length for use on clamps and couplings.
- Works with standard 1/2" drive ratchet.
- Recessed "hand hold" area reduces the chances of dropping.
- Withstands minimum of 270 ft. lbs. of torque.
- Sizes: 7/8", 15/16", 1 1/16", 1 1/8" and 1 1/4".
- Black industrial finish.



Deep Well Sockets come in this heavy duty canvas bag which can be rolled up for easy storage

PRODUCT DESCRIPTION	LENGTH	WT.	PART NO.
Deep Well Socket	7/8 in.	1 lbs.	63260 1
Deep Well Socket	15/16 in.	1 lbs.	63260
Deep Well Socket	1-1/16 in.	2 lbs.	63260 2
Deep Well Socket	1-1/8 in.	2 lbs.	63260 3
Deep Well Socket	1-1/4 in.	3 lbs.	63260 5
Deep Well Socket Set (in Bag)	6 in.	11 lbs.	63263
Deep Well Socket Kit Less Ratchet	6 in.	9 lbs.	63263 LR
Canvas Bag Only	5 in.	1 lbs.	63263 B

WATERWORKS TOOLS

Hand Tools

1/2" Drive Micrometer Adjustable Torque Wrench

Micrometer Torque Wrenches offer precise torque application in a durable, easy-to-use design. Micrometer “Click” style torque wrenches are forged and heat treated. Manufactured to rigid specifications, these torque wrenches have unequalled strength, durability, and accuracy.



PRODUCT DESCRIPTION	LENGTH	WT.	PART NO.
1/2" Drive Micrometer Adjustable Torque Wrench	23 in.	3 lbs.	63226 1

WATERWORKS TOOLS

Hand Tools

Combo Flare & Rerounding Tool

The Combo Flare & Rerounding Tool makes it easy for your waterworks crew to adapt in the field, whether they find out-of-round copper tubing, or older fittings that require a flared connection. Our rounding and flaring tools have been redesigned for better performance. Drive the tool partially into the tubing for rounding or fully in for flaring. The new design features superior grip, bored-out tube to reduce weight, and machined pressure relief ports to prevent the tool rebounding. Sizes 3/4" through 2" available (full set sold separately). Black oxide finish to inhibit corrosion.



Combo Flare & Rerounding Tools in handy canvas carrying bag

PRODUCT DESCRIPTION	LENGTH	WT.	PART NO.
Combo Flare & Rerounding Tool	3/4 in.	2 lbs.	63905
Combo Flare & Rerounding Tool	1 in.	3 lbs.	63908
Combo Flare & Rerounding Tool	1-1/4 in.	4 lbs.	63911
Combo Flare & Rerounding Tool	1-1/2 in.	5 lbs.	63913 1
Combo Flare & Rerounding Tool	2 in.	8 lbs.	63916
Combo Flare and Rounding Tool in Canvas Bag	3/4 in. - 2 in.	20 lbs.	63917 S
Canvas Bag Only	5 in.	1 lbs.	63917 B

WATERWORKS TOOLS

Hand Tools

3-pc Line-up Pry Bar Set

The line-up pry bars include a pointed end for adjusting/aligning, plus an angled chisel end for extra leverage. Made of forged steel and heat treated for strength, with black oxide finish. The set includes 2 line-up pry bars (14" and 20" sizes) and a 16" rolling head pry bar.



12" Rolling Head Pry Bar

The rolling head design offers your team better access and leverage than a fixed head design when working in narrow areas. Made of forged steel and heat treated for strength. Black oxide finish. 12" length. Weighs 1 lb. Keep this handy pry bar in your crew's tool kit.



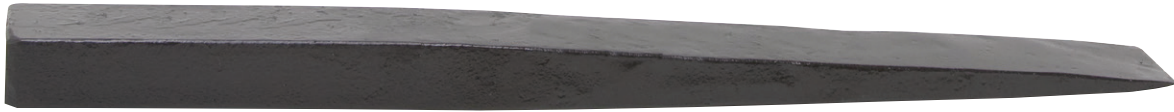
PRODUCT DESCRIPTION	LENGTH	WT.	PART NO.
3-Piece Line-Up Pry Bar Set	34 in.	4 lbs.	91219
12" Rolling Head Pry Bar	12 in.	1 lbs.	63282 3

WATERWORKS TOOLS

Hand Tools

Cast Iron Pipe Bursting Wedge

This manual tool is designed for use in separating flanges on ductile iron or steel pipes. The bursting wedge can also be used to maintain a gap during the pipe cutting process. The bursting wedge is 1 1/2" x 12 1/2"; weighs about 3 lbs.



Dimension: 1 1/2" x 12 1/2"

NPT Corporation Cleaners

The NPT corporation cleaner is designed for use with corp stops that have NPT threads under the tube nut. To use, simply remove the tube nut, thread the cleaner onto the corporation stop, then rotate the drill bit to break up debris and dirt buildup. Once debris is loosened, it is easily flushed away.



PRODUCT DESCRIPTION	LENGTH	WT.	PART NO.
Cast Iron Pipe Bursting Wedge	13 in.	3 lbs.	63303
NPT Corporation Cleaner	1/2 in.	5 lbs.	63150 5
NPT Corporation Cleaner	3/4 in.	5 lbs.	63151
NPT Corporation Cleaner	1 in.	5 lbs.	63152

WATERWORKS TOOLS

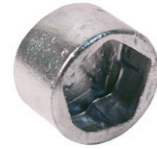
Hand Tools

Meter Box Wrench #1 or #2 Pent Nut

Made of 1" round stock with an 8" handle. On one end of the wrench is a chisel point for prying, and on the other end is a slot for operating meter valves. Two sizes available, for No. 1 (27/32") and No. 2 (1-1/32") pentagon nuts.



No. 1 Pent Nut 27/32"



No. 2 Pent Nut 1-1/32"



Hand Pentagon Wrench

The hand key style wrench comes with a pick end for debris-busting. Use it for pentagon head bolts in service boxes, repair lids, and meter box covers. Extra strong and durable thanks to steel construction. Two sizes available: 27/32" and 1-1/32".



Corporation E-Z Out

The Corporation E-Z Out removes corporation stops that have broken off in the pipeline. Two sizes available: 1/2" to 3/4" and 3/4" to 1". Each tool is threaded on both ends for versatility.



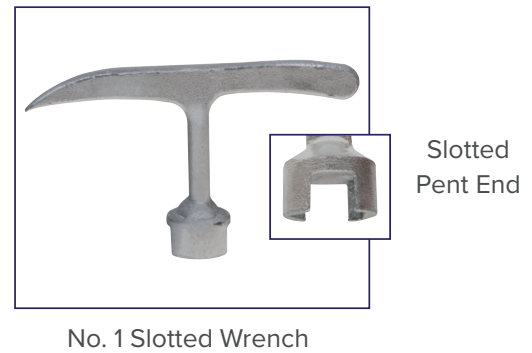
PRODUCT DESCRIPTION	SIZE	WT.	PART NO.
Meter Box Wrench #1	27/32 in.	3 lbs.	63182 6
Meter Box Wrench #2	1-1/32 in.	3 lbs.	63182 7
Hand Pentagon Wrench - Small	27/32 in.	1 lbs.	63182 4
Hand Pentagon Wrench - Large	1-1/32 in.	1 lbs.	63182 5
Corporation E-Z Out	1/2 in - 3/4 in	3 lbs	63151 1
Corporation E-Z Out	3/4 in - 1 in	3 lbs	63151 2

WATERWORKS TOOLS

Hand Tools

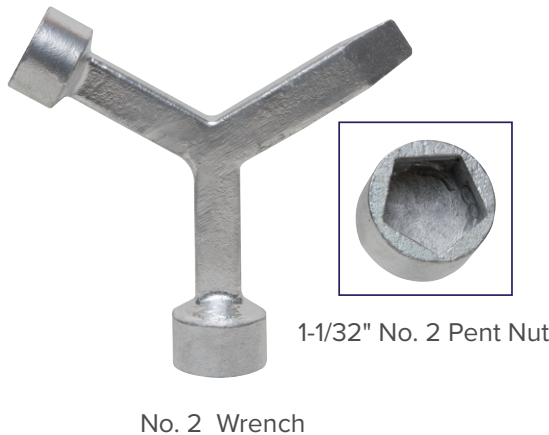
No. 1 Meter Lid Wrenches

The No. 1 meter lid wrench is available in standard or slotted style. Designed to lock onto and lift meter lids with slotted pentagon nuts. Slotted pents can also be used to turn the meter valve. The wrench's points can be used to pry up covers or to clean around the pent nut.



No. 2 Meter Lid Wrenches

The No. 2 meter lid wrench is available in standard or slotted style. Designed to lock onto and lift meter lids with slotted pentagon nuts. Slotted pents can also be used to turn the meter valve. The wrench's points can be used to pry up covers or to clean around the pent nut.



PRODUCT DESCRIPTION	LENGTH	WT.	PART NO.
No 1. Meter Lid Wrench (Standard)	4 in.	1 lbs.	63182
No 1. Meter Lid Wrench (Slotted)	4 in.	1 lbs.	63182 01
No 2. Meter Lid Wrench (Standard)	5 in.	1 lbs.	63185 3
No 2. Meter Lid Wrench (Slotted)	5 in.	1 lbs.	63182 02

WATERWORKS TOOLS

Hand Tools

5 ft. Tamping Bar

This all-welded round steel stock bar is coated to resist rust over time. Use the tool to tamp down dirt and ground materials, or to assemble pipes. This versatile tool is made of 1 1/8" round steel stock with a 5/8" x 4" x 4" bottom plate. The bottom plate is angled to effectively force dirt under the pipe, creating better access and ensuring proper bedding. Forged flat on the top end for more bearing surface and better leverage when pushing pipe together.

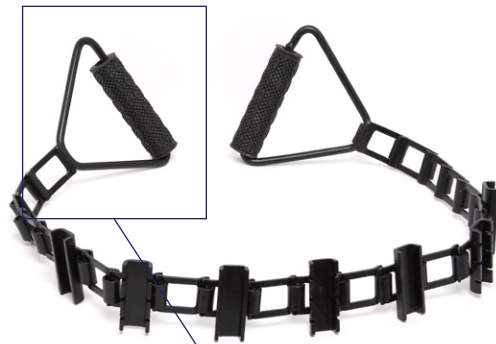


This multipurpose tool can be used for tamping and assembling pipe!



Pipe Cleaner/Descaler

Rubber handle grips ensure safe, comfortable grip. Heavy chain and extra channels make the descaler extra tough and ready to work. Half of the channels are serrated for better efficiency at removing scale, corrosion, dirt or debris so your crew can get on with the job. Sizes available: 3"-12" and 14"-36".



Now available with rubber handles

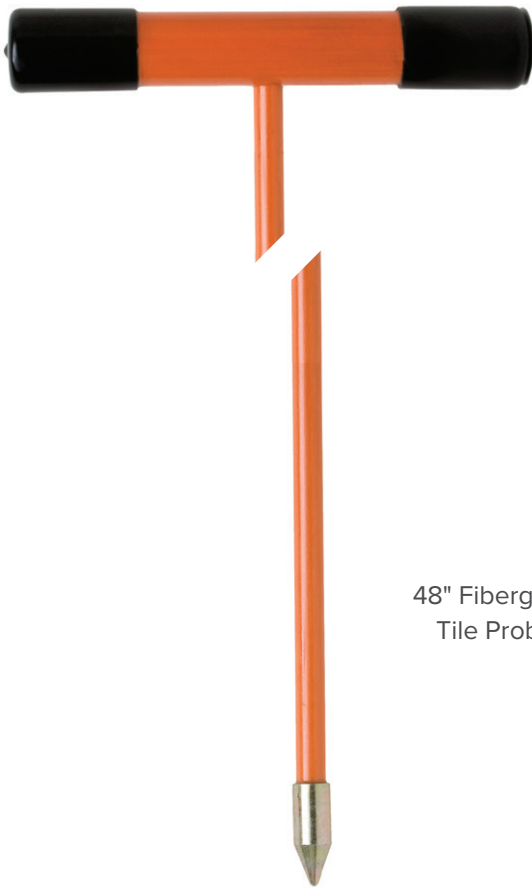
PRODUCT DESCRIPTION	SIZE	WT.	PART NO.
5 ft. Tamping Bar	5 ft.	23 lbs.	63160
Pipe Cleaner/Descaler	3 in. - 12 in.	4 lbs.	63014
Pipe Cleaner/Descaler	14 in. - 36 in.	5 lbs.	63287

WATERWORKS TOOLS

Hand Tools

48" Fiberglass Utility Probe

Tile probes are used as a quick and easy way to find buried water, sewer and drain lines, or electrical conduit. These simple devices can save thousands of dollars and many man hours repairing a broken line. Constructed of either fiberglass or steel for durability.



48" Fiberglass
Tile Probe



Now available
with rubber
handles

48" Steel
Tile Probe

Steel tip can
be replaced if
damaged

PRODUCT DESCRIPTION	SIZE	WT.	PART NO.
48" Fiberglass Utility Probe	48 in.	2 lbs.	91235 1
Steel Tile Probe	48 in	4 lbs	63194 15
Steel Tile Probe Tip	48 in	<1 lb	63154 1