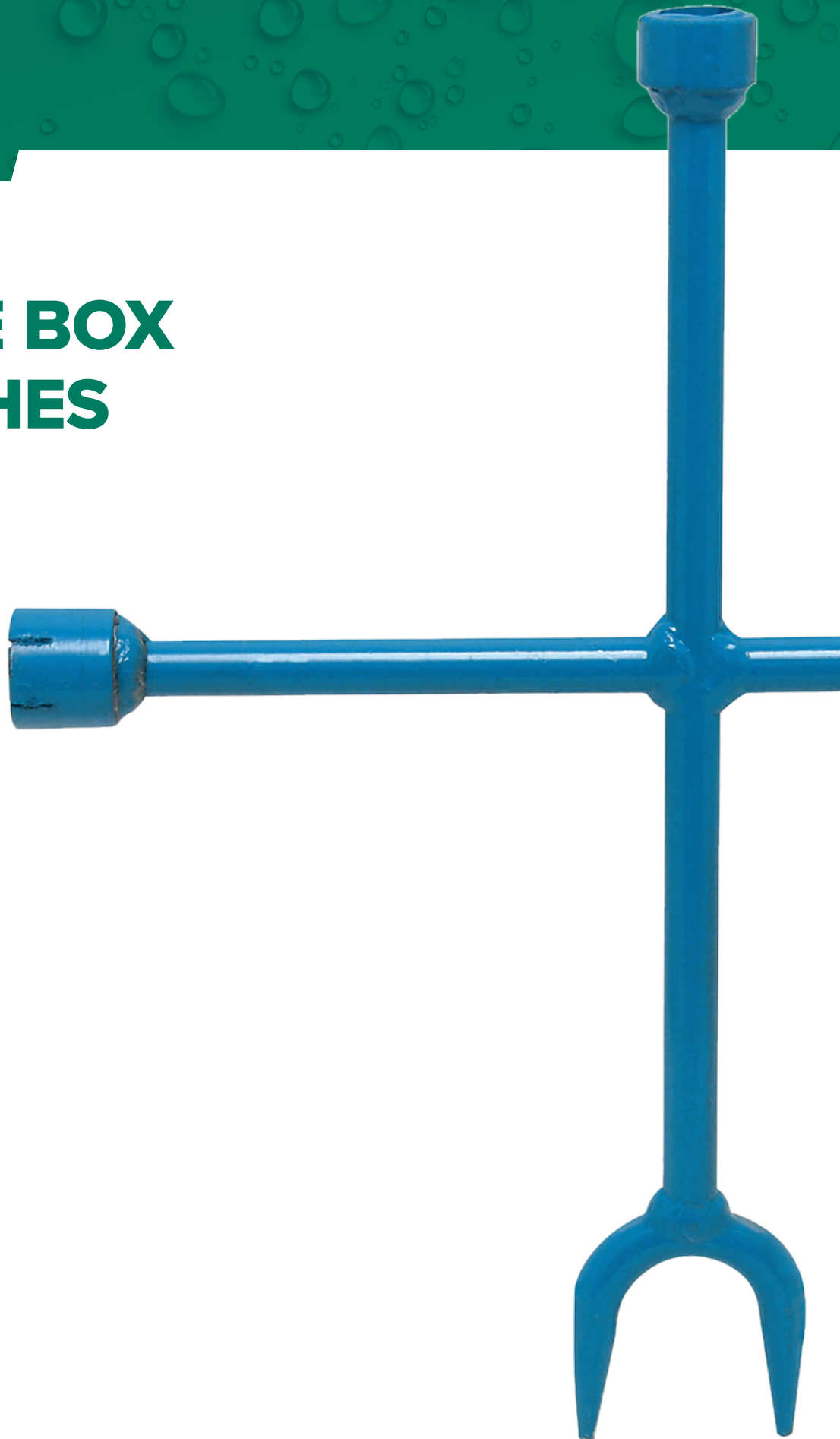


SERVICE BOX WRENCHES

- ▶ Wrenches
- ▶ Accessories



SERVICE BOX WRENCHES

18" T Handle Service Box Wrenches

Pent End

The T-handle service box wrench (pentagon end style) is used to remove the plug from plug-type service box covers.



2-Hole End

This T-Handle service box wrench (two-hole end style) is designed to easily remove 2-hole service box covers.



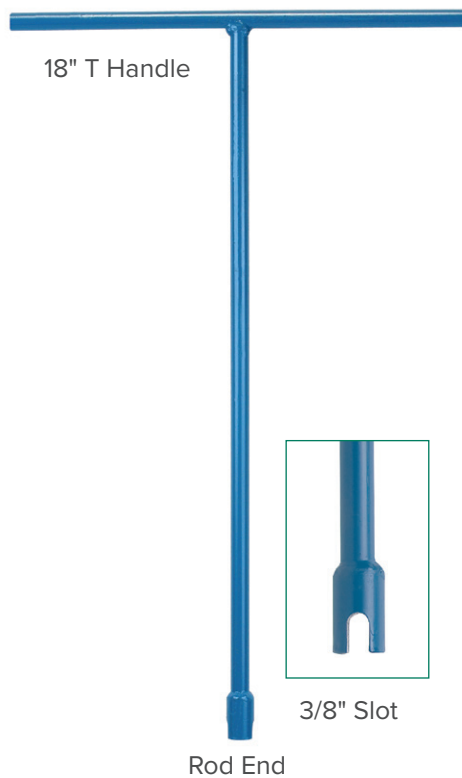
PRODUCT DESCRIPTION	LENGTH	WT.	PART NO.
18" T Handle Service Box Wrench Pent End	2 ft.	5 lbs.	63188 3
18" T Handle Service Box Wrench Pent End	3 ft.	6 lbs.	63189
18" T Handle Service Box Wrench Pent End	4 ft.	7 lbs.	63196
18" T Handle Service Box Wrench Pent End	5 ft.	8 lbs.	63200 2
18" T Handle Service Box Wrench Pent End	6 ft.	10 lbs.	63203
18" T-Handle Service Box Wrench 2-Hole End	2 ft.	7 lbs.	63188 6
18" T-Handle Service Box Wrench 2-Hole End	3 ft.	7 lbs.	63189 6
18" T-Handle Service Box Wrench 2-Hole End	4 ft.	8 lbs.	63197 1

SERVICE BOX WRENCHES

18" T Handle Service Box Wrenches

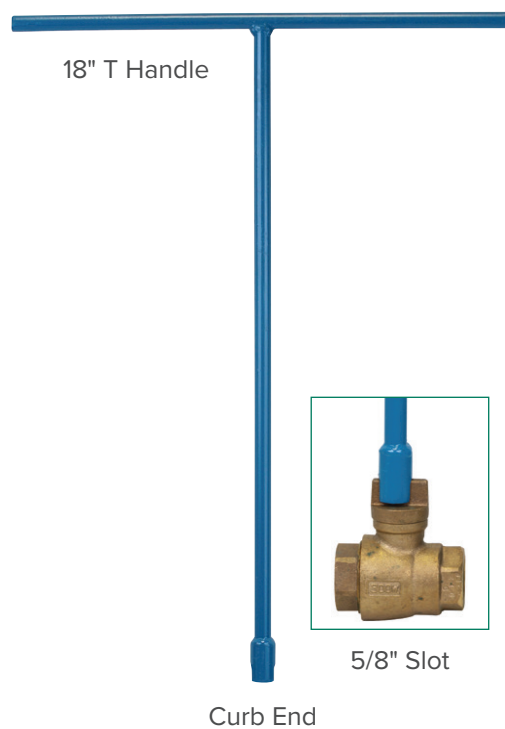
Rod End

The T-handle service box wrench (rod end style) is designed to fit the service box rod and is used to open or close the service valve.



Curb End

The curb end T-handle service box wrench fits on the T-head of the service valve for opening/closing the valve in 1 1/4" & 2 1/2" Buffalo style service boxes.



PRODUCT DESCRIPTION	LENGTH	WT.	PART NO.
18" T Handle Service Box Wrench Rod End	3 ft.	6 lbs.	63189 5
18" T Handle Service Box Wrench Rod End	4 ft.	7 lbs.	63197
18" T Handle Service Box Wrench Rod End	5 ft.	8 lbs.	63202 1
18" T Handle Service Box Wrench Rod End	6 ft.	10 lbs.	63203 3
18" T Handle Service Box Wrench Rod End	7 ft.	12 lbs.	63204 4
18" T Handle Service Box Wrench Rod End	8 ft.	14 lbs.	63205
18" T Handle Service Box Wrenches Curb End	4 ft.	8 lbs.	63197 2
18" T Handle Service Box Wrenches Curb End	5 ft.	9 lbs.	63200 1
18" T Handle Service Box Wrenches Curb End	6 ft.	11 lbs.	63203 2
18" T Handle Service Box Wrenches Curb End	7 ft.	12 lbs.	63204 3
18" T Handle Service Box Wrenches Curb End	8 ft.	14 lbs.	63205 6
18" T Handle Service Box Wrenches Curb End	10 ft.	16 lbs.	63205 2
18" T Handle Service Box Wrenches Curb End	12 ft.	19 lbs.	63205 3

SERVICE BOX WRENCHES

Rod End SBWs with Pent x 2-Hole on Handle

Rod x Pent x 2-Hole on Handle

This wrench has a rod end on the shaft for opening/closing service valves; a pent end and a two-hole end on the wrench's handle are used for removing either plug-type or 2-hole service box covers.

Rod x Pent x 2-Hole on Handle w/Debris Cleaner

This wrench has a rod end on the shaft for opening and closing the service valve. The handle has a pent end and 2-hole end for removing either type of service box covers plus a debris cleaner to clean around the plug on plug-type service box covers.



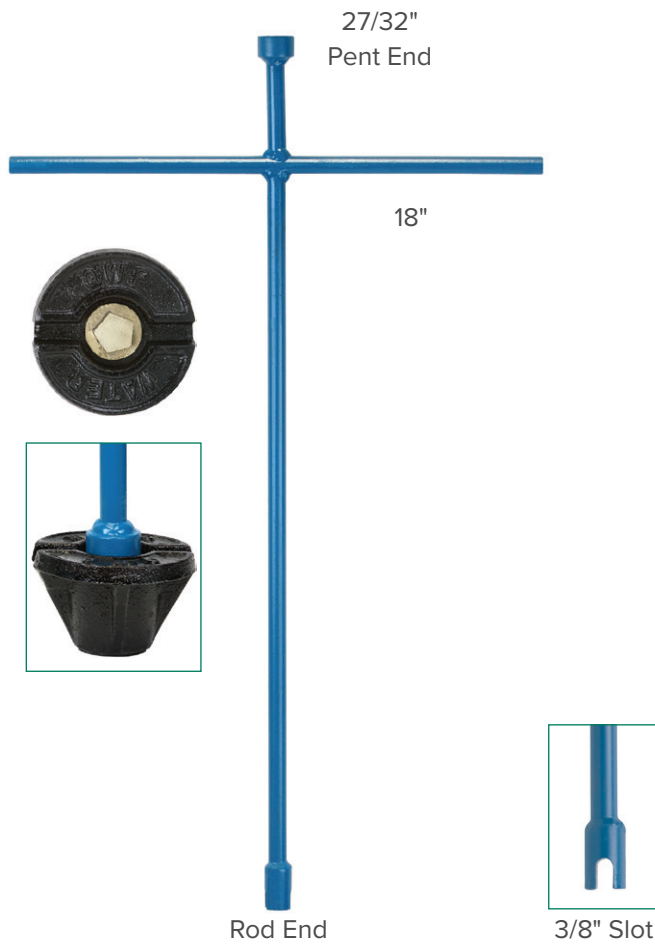
PRODUCT DESCRIPTION	LENGTH	WT.	PART NO.
Rod x Pent x 2-Hole on Handle	2 ft.	7 lbs.	63188 1
Rod x Pent x 2-Hole on Handle	3 ft.	8 lbs.	63190
Rod x Pent x 2-Hole on Handle	4 ft.	9 lbs.	63193
Rod x Pent x 2-Hole on Handle	5 ft.	11 lbs.	63202 2
Rod x Pent x 2-Hole on Handle	6 ft.	14 lbs.	63203 1
Rod x Pent x 2-Hole on Handle	7 ft.	17 lbs.	63204 1
Rod x Pent x 2-Hole on Handle	8 ft.	21 lbs.	63205 1
Rod x Pent x 2-Hole on Handle w/Debris Cleaner	4 ft.	11 lbs.	63194 1
Rod x Pent x 2-Hole on Handle w/Debris Cleaner	5 ft.	14 lbs.	63199
Rod x Pent x 2-Hole on Handle w/Debris Cleaner	6 ft.	17 lbs.	63203 7

SERVICE BOX WRENCHES

SBWs with Extended Shaft

Rod x Pent with Extended Shaft

One end fits the service box rod and opens/closes the service valve. The other end removes the pentagon plug from plug-style service box covers.



Rod x 2-Hole with Extended Shaft

One end fits the service box rod; use it to open/close the service valve. The other end removes 2-hole service box covers.



PRODUCT DESCRIPTION	LENGTH	WT.	PART NO.
Rod X Pent SB Wrench with Extended Shaft	4 ft.	11 lbs.	63193 2
Rod X Pent SB Wrench with Extended Shaft	5 ft.	14 lbs.	63202 3
Rod X Pent SB Wrench with Extended Shaft	6 ft.	17 lbs.	63203 4
Rod x 2-Hole SB Wrench with Extended Shaft	4 ft.	11 lbs.	63193 2H
Rod x 2-Hole SB Wrench with Extended Shaft	5 ft.	14 lbs.	63202 3H
Rod x 2-Hole SB Wrench with Extended Shaft	6 ft.	17 lbs.	63203 4H

SERVICE BOX WRENCHES

SBWs with Extended Shaft

Curb x Pent with Extended Shaft

The curb end of the wrench is used to open or close the valve without a rod; the pent end removes the plug from plug-type service box covers. Designed for 1¼" & 2½" Buffalo style service boxes.



18" T-Handle Pent with Curb Kicker

This handy wrench has a sliding cover lock which eliminates the common problem in plug-style service box covers; the cover un-screws while attempting to remove a stubborn pent plug. The slotted curb kicker holds the cover in place while the pent nut is unscrewed. This ruggedly built wrench comes in 3 ft. and 4 ft. lengths. Other lengths can be ordered.



PRODUCT DESCRIPTION	LENGTH	WT.	PART NO.
Curb x Pent SB Wrench with Extended Shaft	4 ft.	11 lbs.	63193 2C
Curb x Pent SB Wrench with Extended Shaft	5 ft.	14 lbs.	63202 3C
Curb x Pent SB Wrench with Extended Shaft	6 ft.	17 lbs.	63203 4C
18" T-Handle SB Wrench Pent with Curb Kicker	3 ft.	14 lbs.	63189 CK
18" T-Handle SB Wrench Pent with Curb Kicker	4 ft.	16 lbs.	63196 CK

SERVICE BOX WRENCHES

Slide Handle Service Box Wrenches

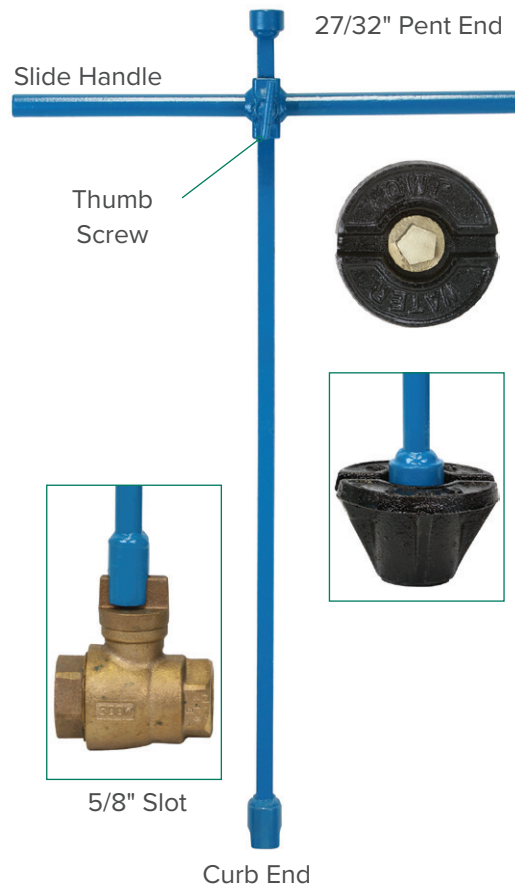
Rod x Pent

The Slide Handle makes this wrench more versatile than one piece wrenches where the handle is fixed on one end or the other. The Rod end fits the service box rod and is used to open or close the service valve. The Pent end is used to remove the plug from plug-type service box covers.



Curb x Pent

The Slide Handle makes this wrench more versatile than one piece wrenches where the handle is fixed on one end or the other. The Pent end is used to remove the plug from plug-type service box covers. The Curb end opens or closes the service valve without the use of a rod. Designed to work with 1 1/4 inch & 2 1/2 inch Buffalo style service boxes.



PRODUCT DESCRIPTION	LENGTH	WT.	PART NO.
Rod x Pent Slide Handle Service Box Wrenches	4 ft.	10 lbs.	63192
Rod x Pent Slide Handle Service Box Wrenches	5 ft.	11 lbs.	63200
Rod x Pent Slide Handle Service Box Wrenches	6 ft.	12 lbs.	63195
Rod x Pent Slide Handle Service Box Wrenches	7 ft.	13 lbs.	63204 2
Curb x Pent Slide Handle Service Box Wrenches	6 ft.	17 lbs.	63203 5
Curb x Pent Slide Handle Service Box Wrenches	7 ft.	23 lbs.	63204 6
Curb x Pent Slide Handle Service Box Wrenches	8 ft.	24 lbs.	63204 9

SERVICE BOX WRENCHES

Slide Handle & Miscellaneous SBWs

Rod x 2-Hole

The Slide Handle makes this wrench more versatile than one piece wrenches where the handle is fixed on one end or the other. The Rod end fits the service box rod and is used to open or close the service valve. The 2-hole end is used to remove 2-hole service box covers.



Point x Chisel Combo Key with Slotted Pent

This combination wrench has a slotted pentagon nut on the shaft, which gives it the ability to remove the pent nut from plug-style covers and to turn the service box rod to open or close the service valve. The handle has a pick point on one end and a chisel end on the other for removing debris and for prying.



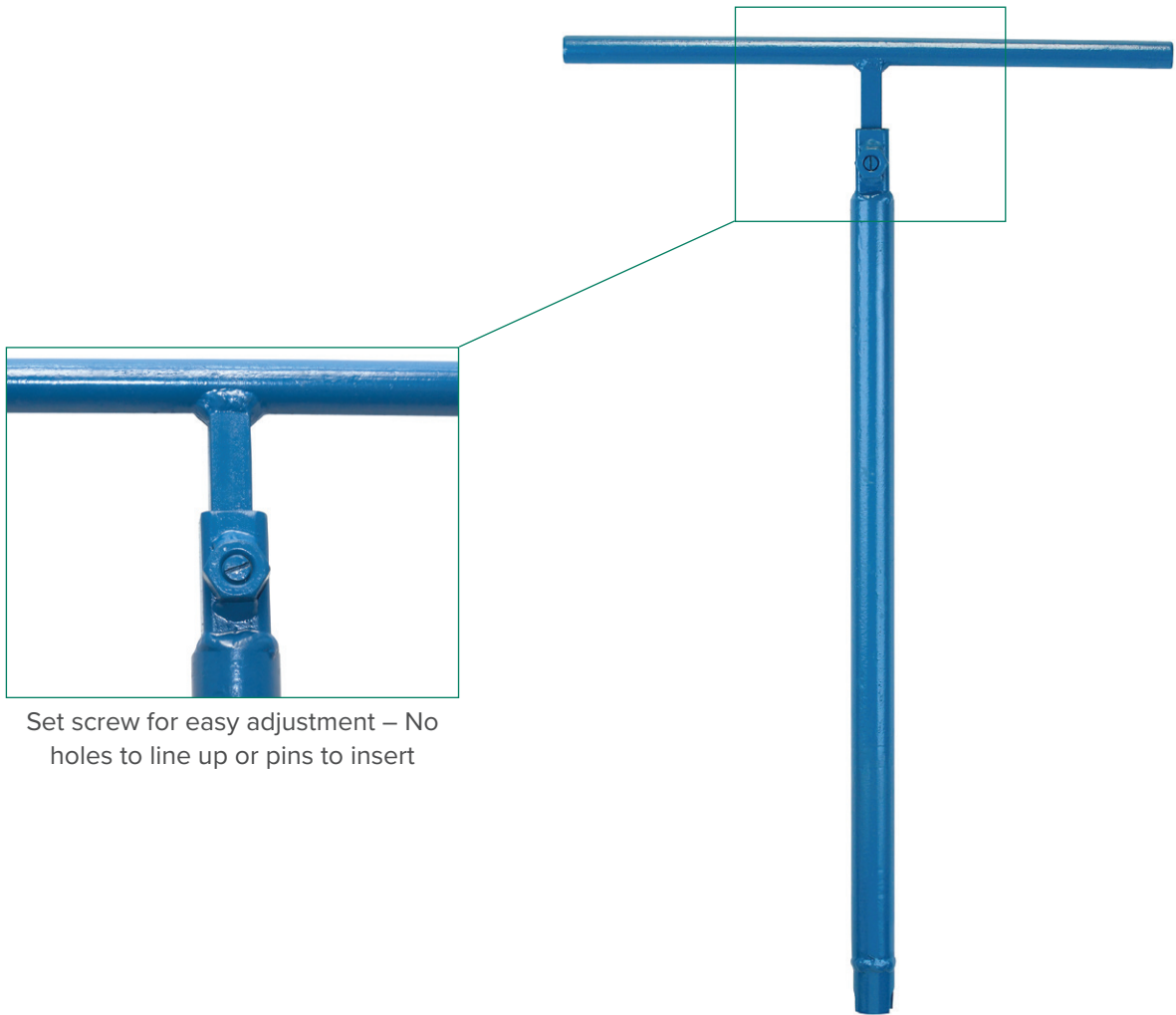
PRODUCT DESCRIPTION	LENGTH	WT.	PART NO.
Rod x 2-Hole Slide Handle Service Box Wrenches	17 in.	3 lbs.	63204 8
Rod x 2-Hole Slide Handle Service Box Wrenches	4 ft.	4 lbs.	63198
Rod x 2-Hole Slide Handle Service Box Wrenches	5 ft.	5 lbs.	63200 4
Rod x 2-Hole Slide Handle Service Box Wrenches	6 ft.	6 lbs.	63201
Rod x 2-Hole Slide Handle Service Box Wrenches	7 ft.	7 lbs.	63204 5
Point x Chisel Combo Key with Slotted Pent	18 in.	5 lbs.	63212 3
Point x Chisel Combo Key with Slotted Pent	24 in.	6 lbs.	63212 4
Point x Chisel Combo Key with Slotted Pent	36 in.	8 lbs.	63212 5
Point x Chisel Combo Key with Slotted Pent	48 in.	11 lbs.	63212 6

SERVICE BOX WRENCHES

Telescopic Curb Wrench

Telescopic Curb Wrench

The telescoping curb wrench adjusts to the job at hand. The wrench is designed for Buffalo style service boxes; the curb end fits on the T-head of the service valve. Two adjustable lengths: 4'-8' and 6'-10'. Use the set screw for easy adjustment with no holes or pins to align.



Set screw for easy adjustment – No holes to line up or pins to insert

5/8" Slot

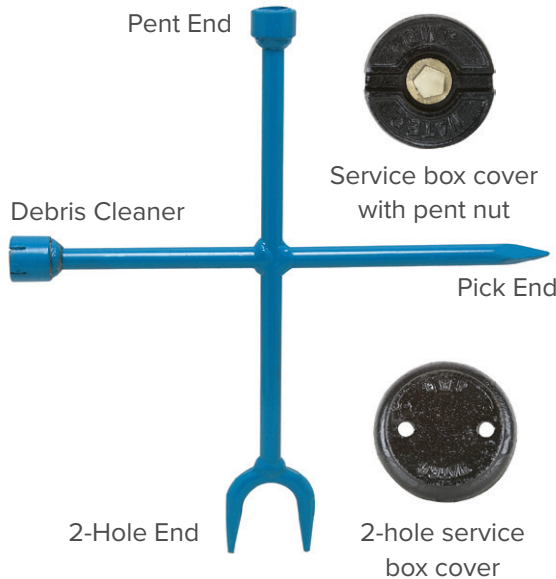
PRODUCT DESCRIPTION	LENGTH	WT.	PART NO.
Telescopic Curb Wrench	4-8 ft.	14 lbs.	63203 6
Telescopic Curb Wrench	6-10 ft.	17 lbs.	63203 8

SERVICE BOX WRENCHES

Service Box Wrenches

16" Service Box Cross Wrench

Get four service box tools in one with this handy, all-purpose cross wrench. Similar in design to an automotive lug style wrench, the cross wrench features a pentagon end; a two-hole end; a pick end for prying; and a debris cleaner end for removing dirt or ice from around the pentagon nut.



2½" Service Box Adjusting Tool, Screw Type

The 2½" service box adjusting tool (screw type) is designed to adjust the length of 2½" Buffalo style service boxes. The 4' long wrench is simple and easy to use, with a wide T-handle grip to ensure maximum leverage. Simply place the wrench end into the service box opening, then turn the wrench to make the necessary adjustment.



Service Box Wrench Ends

These stand-alone service box wrench two-hole end/slotted pentagon end/rod end/curb end are designed for use with for 1¼" & 2½" Buffalo style service boxes only. Approx. 2" x 2", weighing less than 1 lb. each.



2-Hole End



27/32" Slotted
Pent End



3/8" Rod End



5/8" Curb End

PRODUCT DESCRIPTION	LENGTH	WT.	PART NO.
Service Box Cross Wrench	16 in.	4 lbs.	63188 7
2 ½" Service Box Adjusting Tool, Screw Type	4 ft.	21 lbs.	63206
2-Hole Service Box Wrench End		< 1 lb.	63210
Slotted Combo Pent Service Box Wrench End		< 1 lb.	63207 15
Rod Service Box Wrench End		< 1 lb.	63204
Curb Service Box Wrench End		< 1 lb.	63207 3